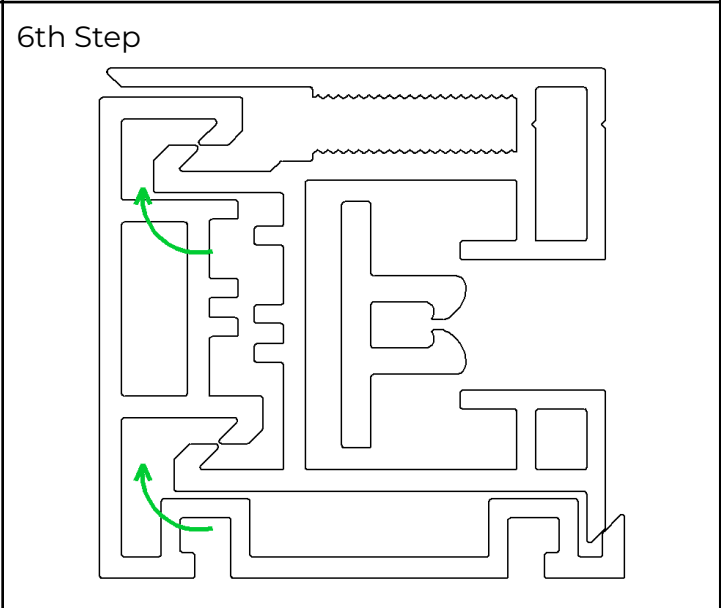
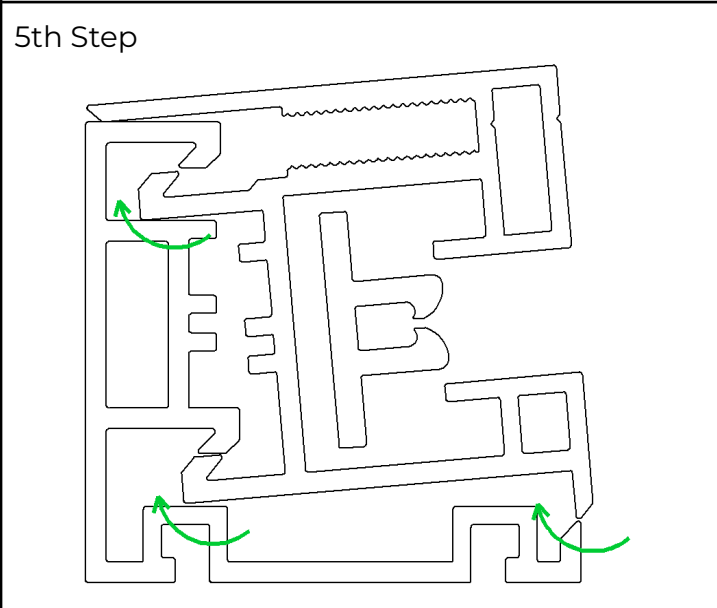
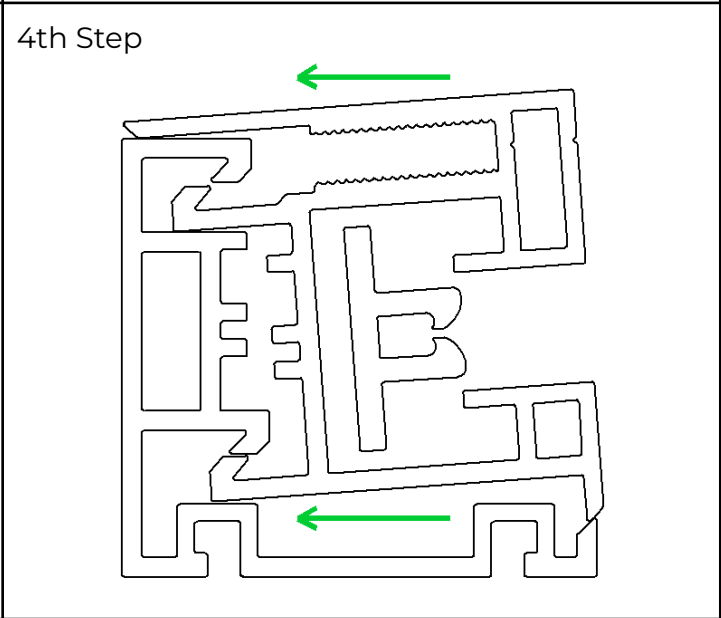
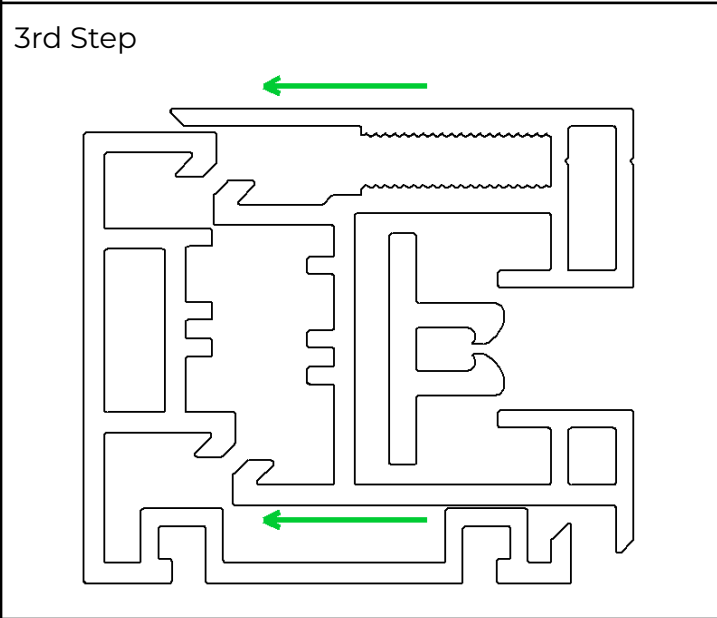
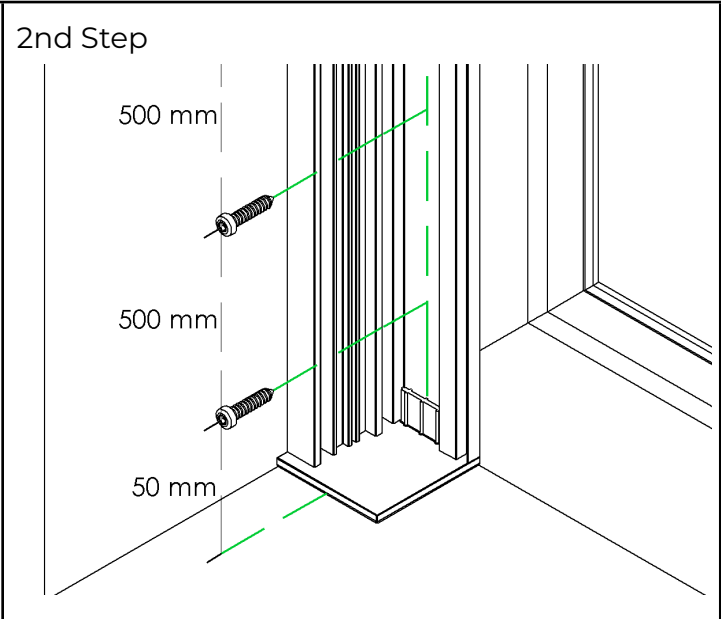
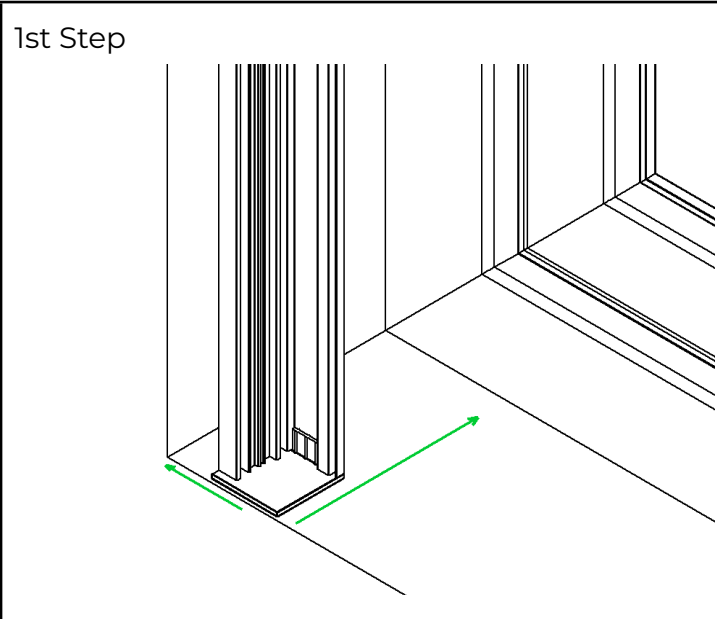


SOLARBREAKER

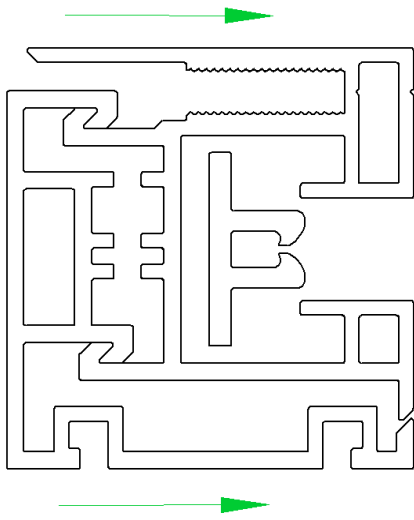
ZIP PRO

System Installation Manual

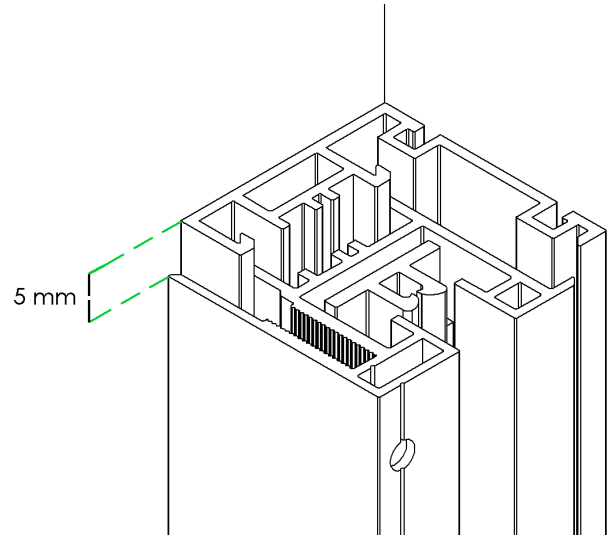
Side guide installation



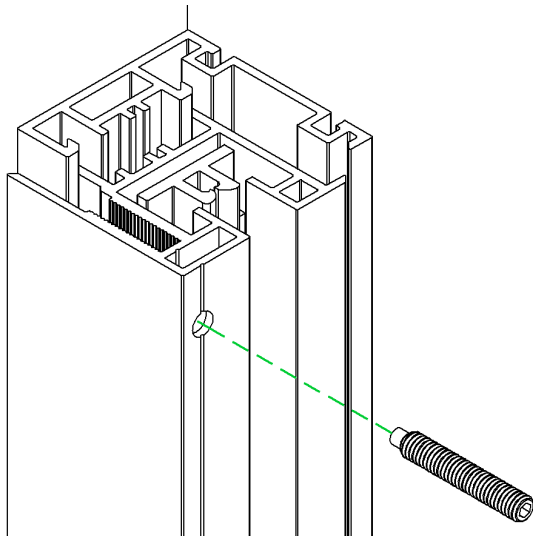
7th Step



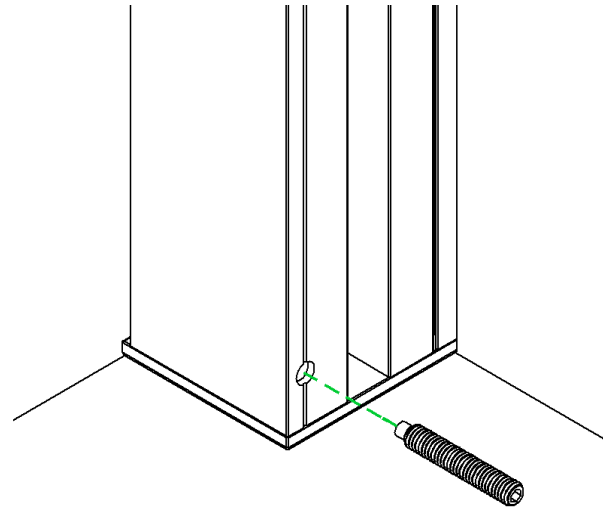
8th Step



9th Step

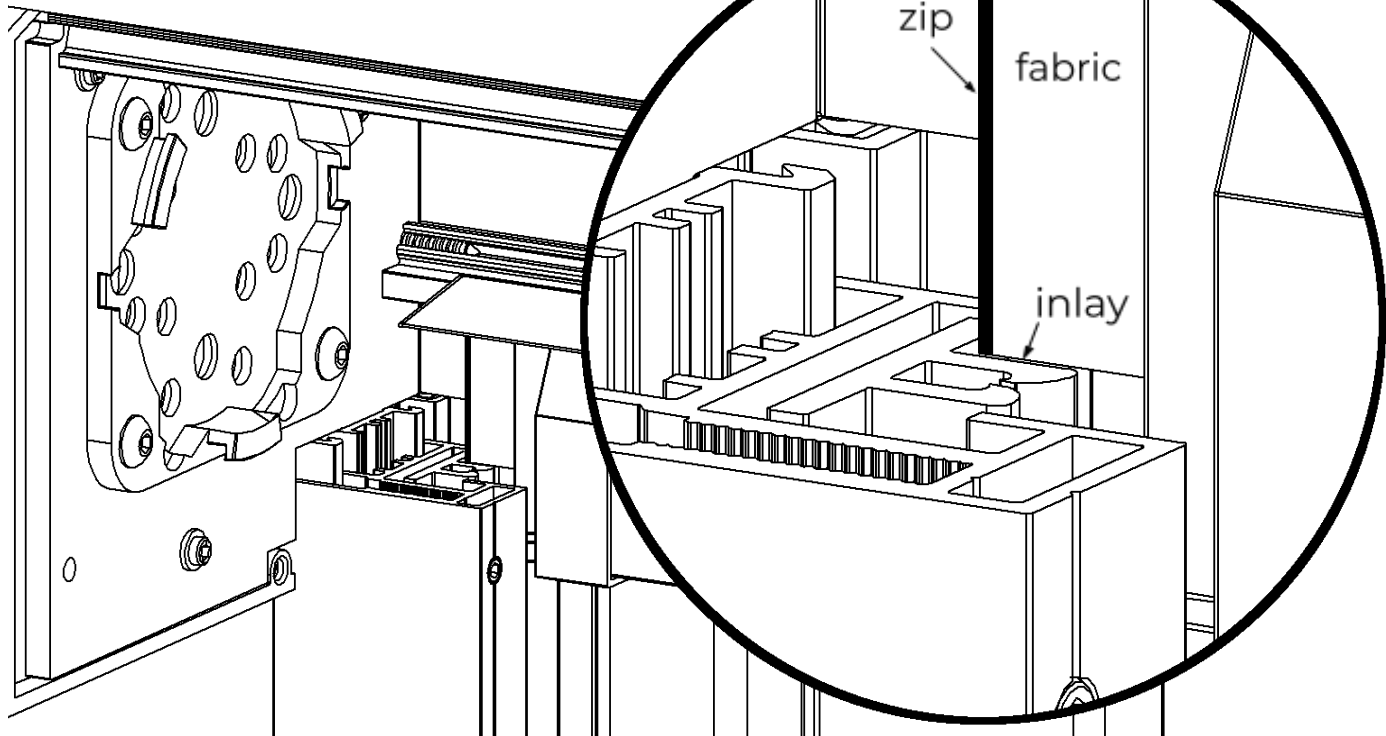


10th Step

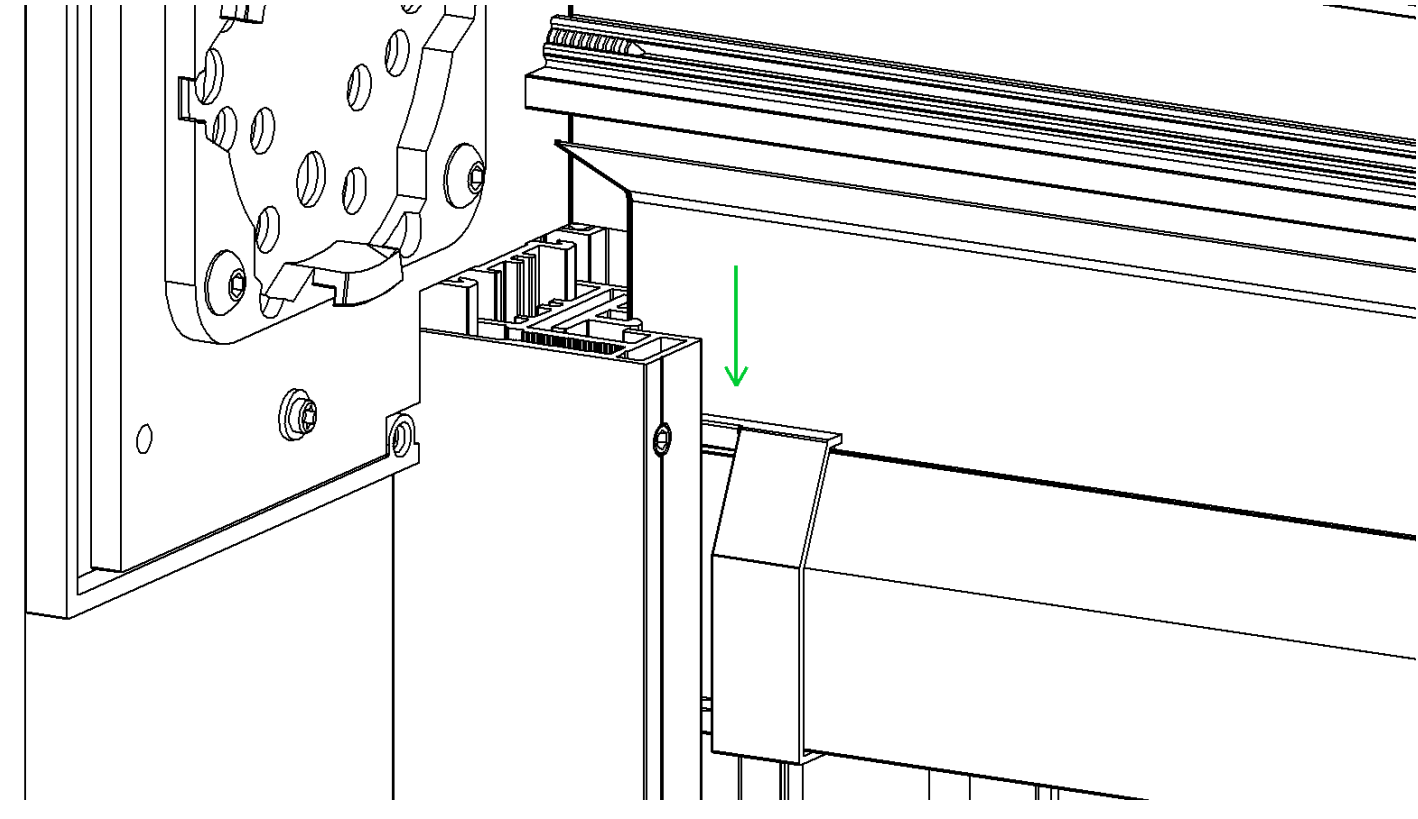


Fabric and tube installation

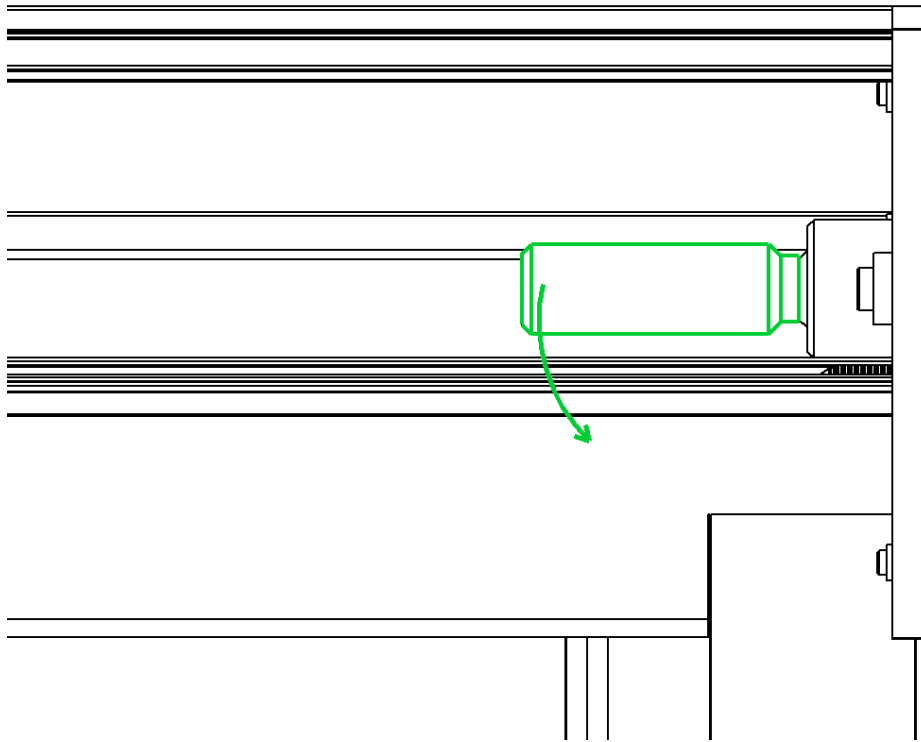
1st Step



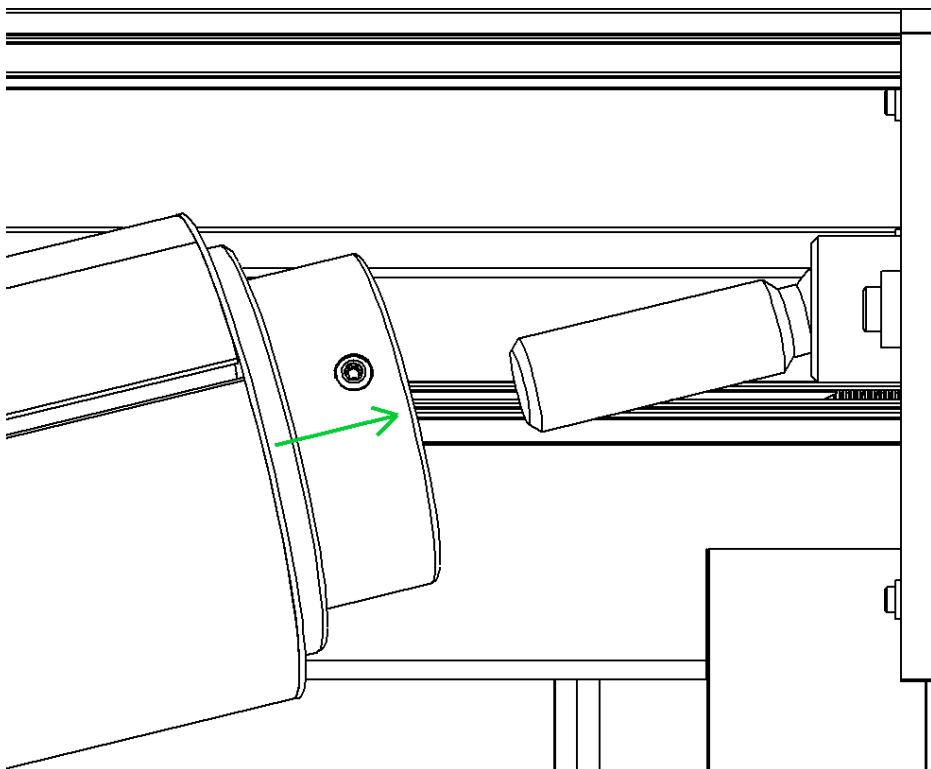
2nd Step



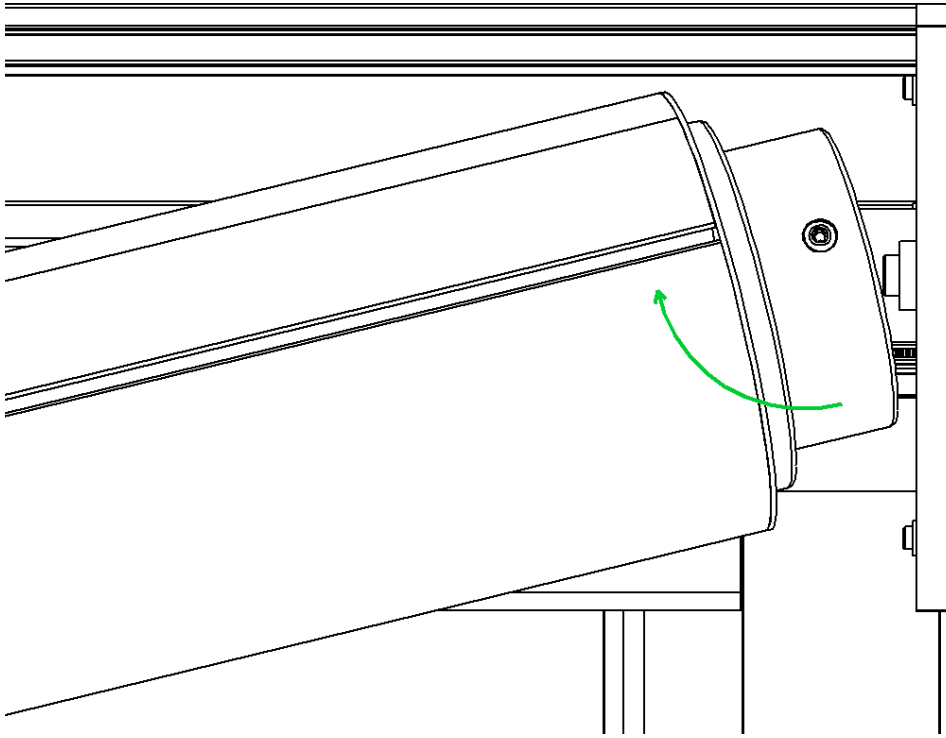
3rd Step



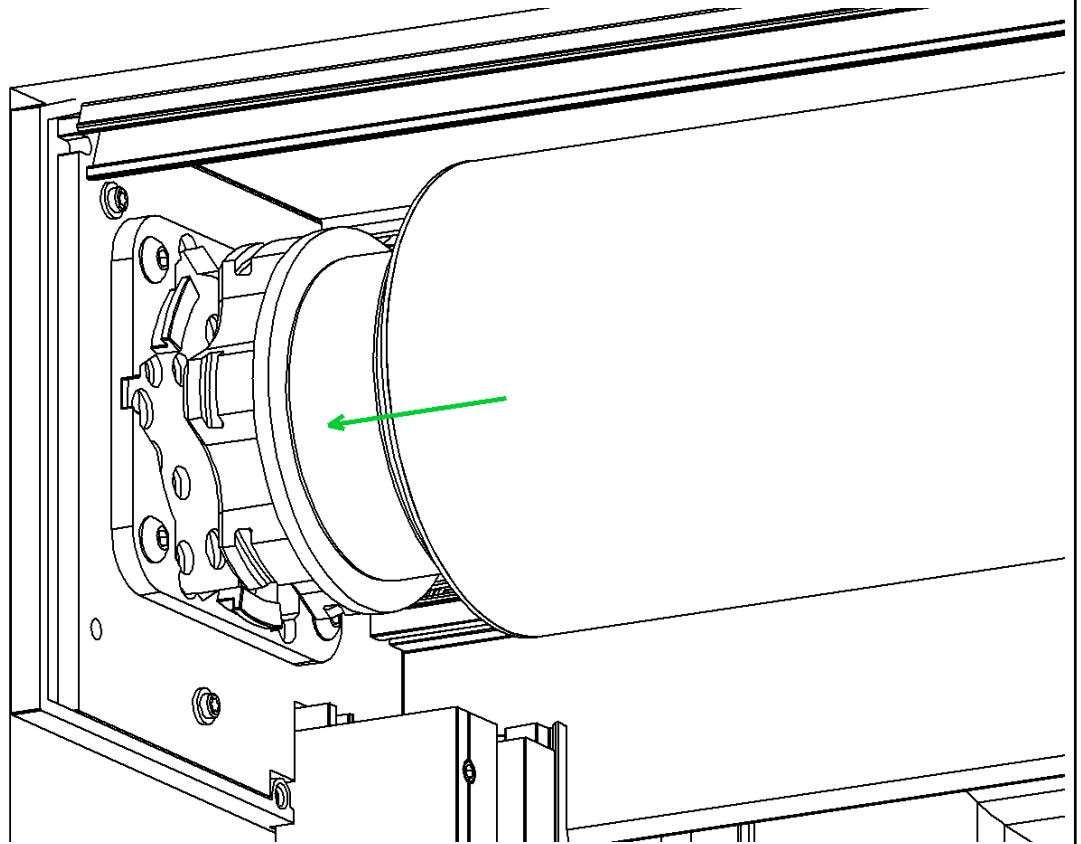
4th Step



5th Step

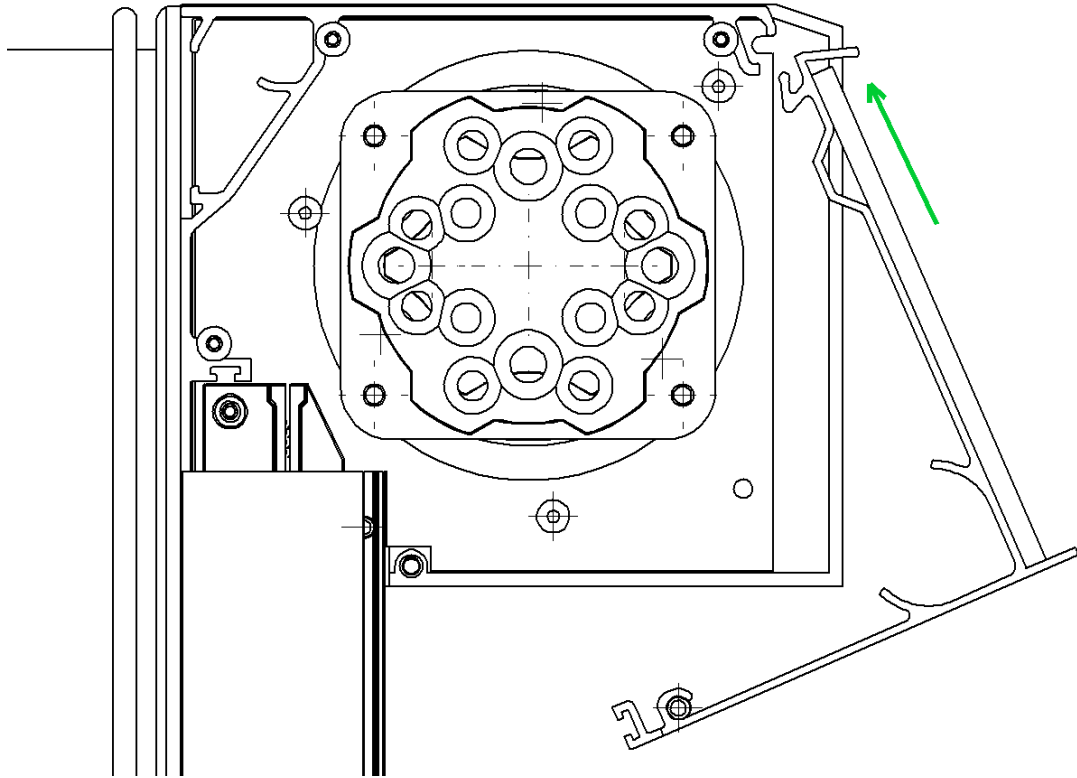


6th Step

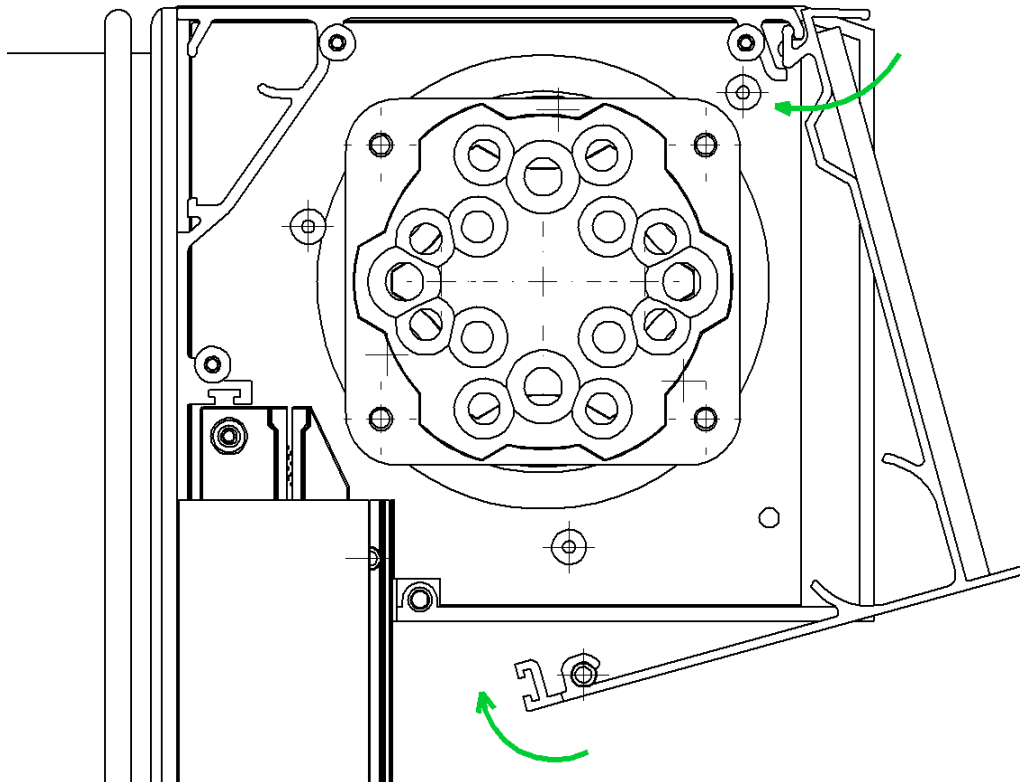


Front cover installation

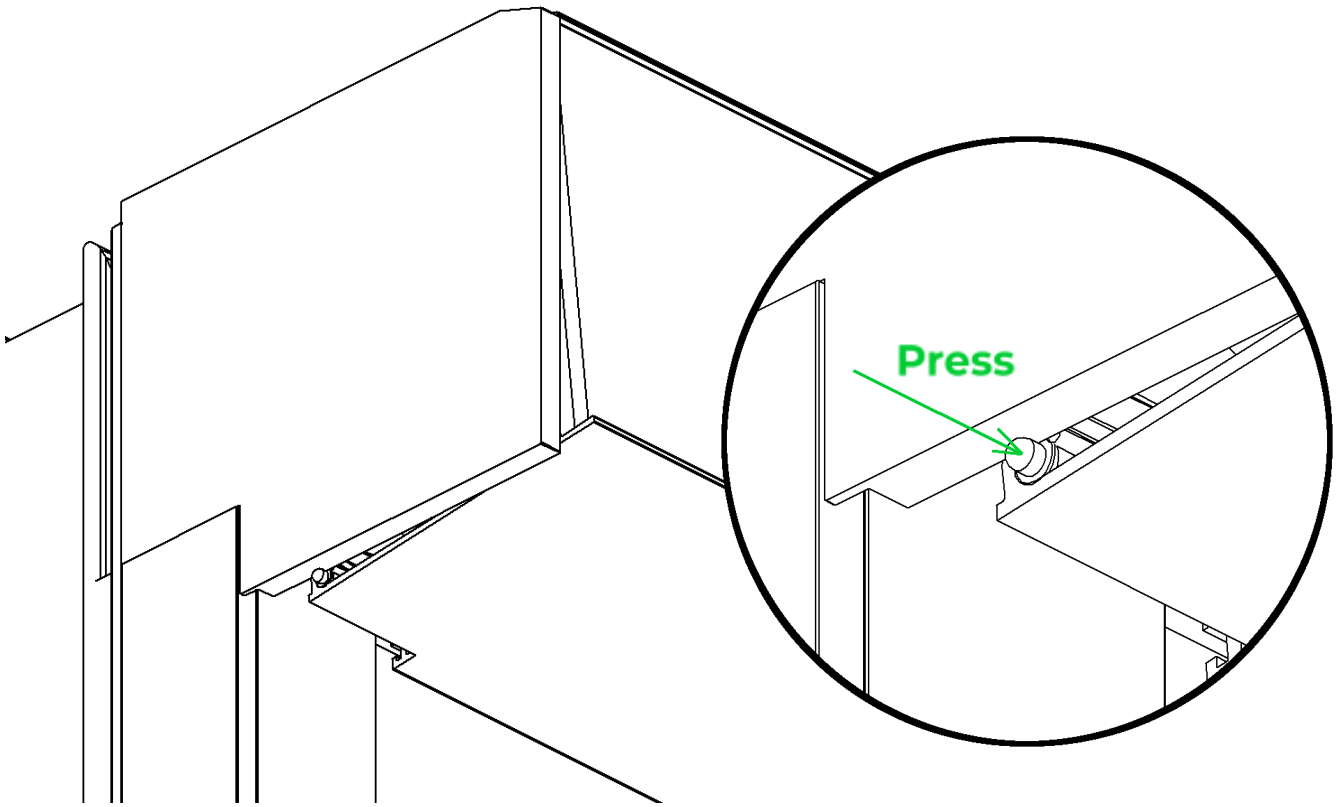
1st Step



2nd Step



3rd Step



4th Step

